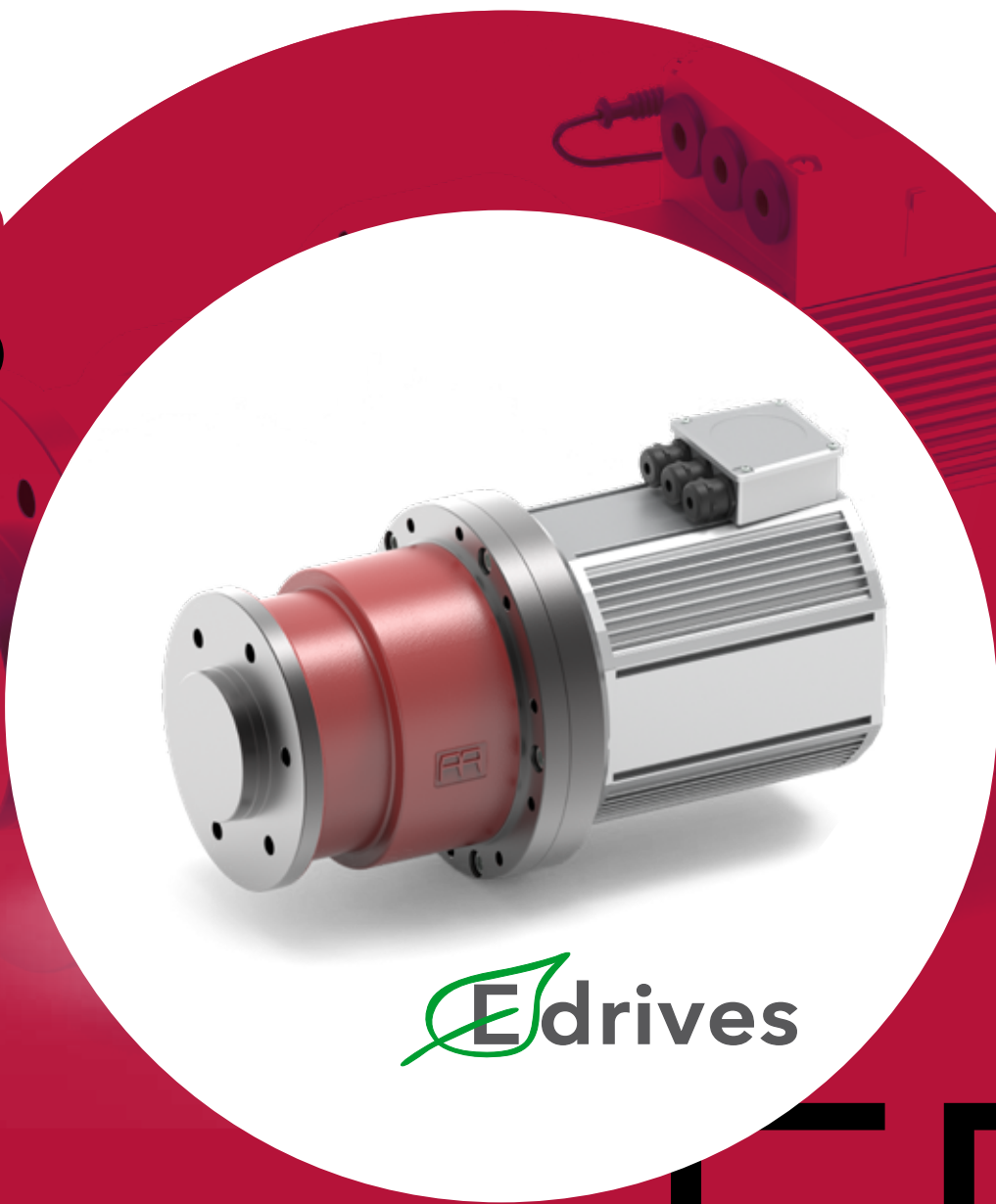


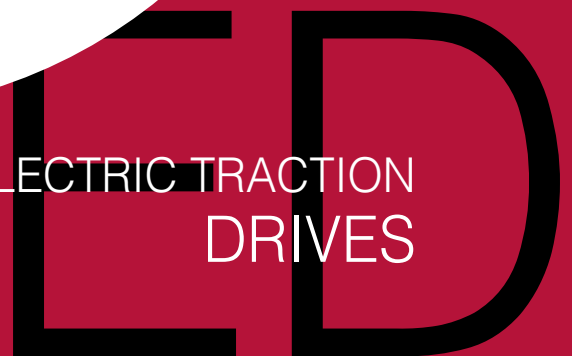

MADE IN ITALY



 **Edrives**

For 50 years we have been passionately dedicating ourselves to producing planetary gears and wheel gears made entirely in Italy. Reggiana Riduttori is a member of Interpump Group.

ELECTRIC TRACTION
DRIVES





THINKING GREEN



FOR THE FUTURE



D

E DRIVES OUR SOLUTION FOR ELECTRIFICATION



With 50 years of Engineering experience, Reggiana Riduttori is one of the world's leading companies in the innovative design and manufacture of gearboxes for a wide variety of power transmission.

E DRIVES series is the answer that Reggiana Riduttori is giving to a market seeking low emission as well as high efficiency products.

Reggiana Riduttori offers a complete transmission range **with choices in electric motor input and torque output and a new range of wheel drives with electric motor.**

To ensure that the highest standards in engineering, quality and production are always met, our products are 100% manufactured in our headquarters in Italy. Designed to resist intense application cycles, our gear units go beyond expectations. A compact dimensions, high resistance to torque peaks and low noise are just a couple of the many features of our product ranges. All products in our range can be equipped with custom made accessories to ensure a perfect and simple assembly on your system.

Con 50 anni di esperienza ingegneristica, Reggiana Riduttori è una delle aziende leader a livello internazionale nella progettazione e costruzione di riduttori e ruote motrici per un'ampia gamma di applicazioni.

La gamma E DRIVES è la risposta di Reggiana Riduttori ad un mercato che predilige sempre più la trazione elettrica per massimizzare l'efficienza, ridurre i costi e l'impatto sull'ambiente.

Reggiana Riduttori offre una selezione completa di sistemi di trasmissione compatibili con motore elettrico e una nuova linea di ruote motrici con motore elettrico: dimensioni compatte, forte resistenza ai picchi di coppia e bassa rumorosità sono solo alcune delle caratteristiche della nostra gamma.

I prodotti Reggiana Riduttori sono ambasciatori del Made in Italy nel mondo: interamente realizzati negli stabilimenti di San Polo d'Enza, offrono alla clientela qualità e affidabilità oltre alla customizzazione che garantisce un risultato finale perfetto per ogni impianto.

OPTIMIZED

COMPACT DESIGN

LOW OPERATING NOISE

DUE TO OPTIMISED GEAR-MESH TECHNOLOGY

HIGH PERFORMANCE

CAPABILITY AND EFFICIENCY

MAINTENANCE FREE

EASY INSTALLATION WITH THE BEST AFTER SALES SERVICE

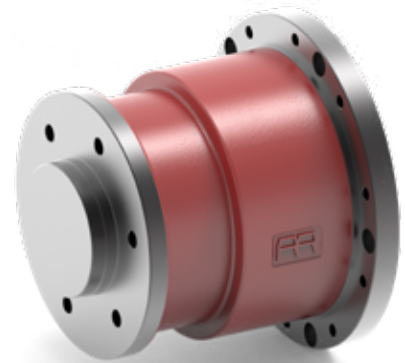


C

WHEEL DRIVE RANGE FOR ELECTRIC MOTORS

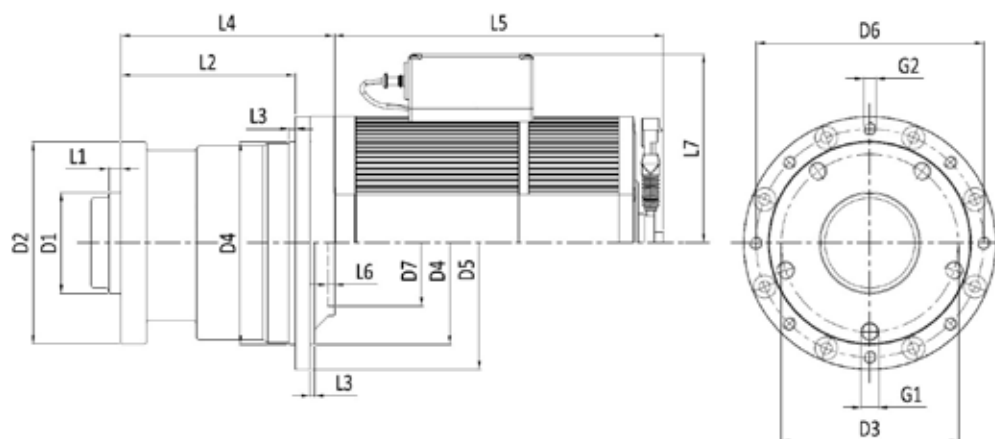
MODEL ----- technical data	RREDL70	RREDL200	RREDL400	Unit of measurement
2 stages ratio	20-25-31-42	19-24-32-39	19-24-32-39	i
Efficiency 2 stages	95	95	95	Re %
3 stages ratio	82-103-128-174	80-98-132-163	79-96-129-159	i
Efficiency 3 stages	93	93	93	Re %
Rated output torque	280	800	1600	T2 Nm
Peak output torque	700	2000	4000	T2 Max Nm
Rated input speed	3000	3000	3000	n1 rpm
Max. input speed	7000	7000	7000	n1 max rpm
Max. axial forces	2500	5000	9000	Famax
Max. radial forces	7000	21000	45000	Frmax
Lubrication	Lifetime	Lifetime	Lifetime	-
Weight	7	17	35	Kg
Mounting position	Horizontal	Horizontal	Horizontal	-
Ambient temperature	-20 to +50	-20 to +50	-20 to +50	°C
Motor compatibility	PMAC	PMAC	PMAC	-
Voltage	24/48/96	24/48/96	24/48/96	Vo
Degree of protection	from IP65 up to 6K9K	from IP65 up to 6K9K	from IP65 up to 6K9K	-

- Light and compact design (high power density).
- High performance capability and efficiency.
- Low operating noise due to optimised gear-mesh technology.
- Easy installation, friendly customer support.
- Maintenance-free.



D

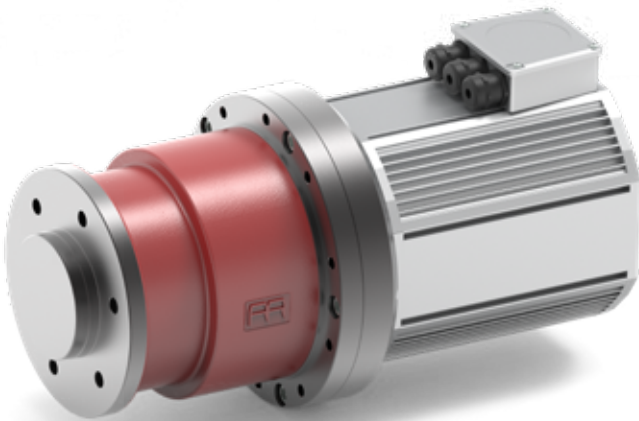
DIMENSIONS



MODEL	D1 [mm]	D2 [mm]	D3 [mm]	D4 [mm]	D5 [mm]	D6 [mm]	D7 [mm]	L1 [mm]	L2 [mm]	L3 [mm]	L4 [mm]	L5 [mm]	L6 [mm]	L7 [mm]	G1 [mm]	G2 [mm]
RREDL70	60	125	100	130	170	150	75	10	105	5,5	130	up 170	5,5	80	M12x1,5 (4x)	M10 (6x)
RREDL200	80	159	140	160	200	180	100	10	138	5,5	169	up 200	5,5	155	M14x1,5 (6x)	M10 (8x)
RREDL400	110	215	160	220	270	240	140	10	188	5,5	241	up 200	5,5	155	M16x1,5 (6x)	M12 (10x)

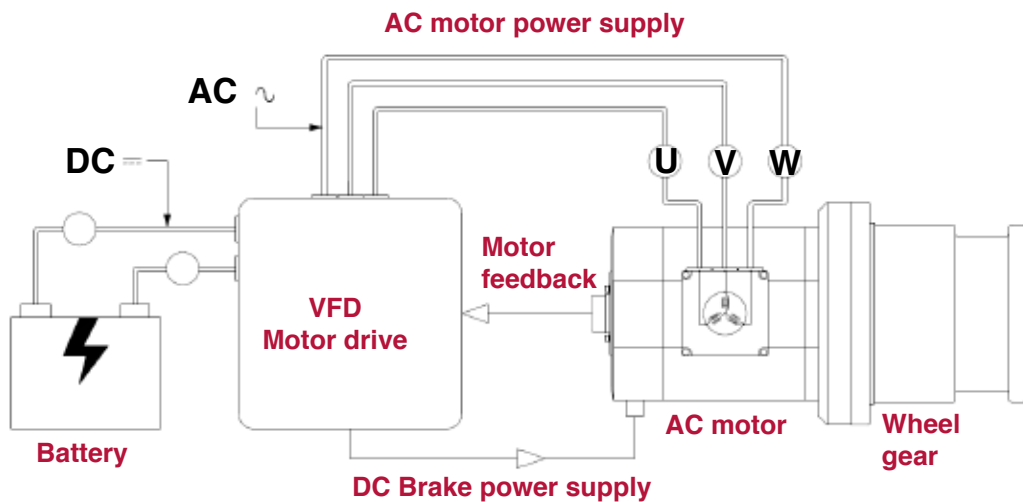
RR WHEEL DRIVE	ratio min/max	Max Power (Kw)
RREDL70	20-174	6-28
RREDL200	19-163	14-33
RREDL400	19-159	14-33

	Dc Bus Voltage		
	24	48	96
Amp			
RREDL70	125-370	62-230	31-115
RREDL200	n/a	102-250	51-117
RREDL400	n/a	230-500	110-300



- Turnkey solution.
- Highest Made in Italy quality.
- Unified after-sales assistance.
- Customized solutions for all applications.

INSTALLATION SYSTEM



M

MOTOR FEATURES

Motor for RREDL70	VOLTAGE	RATED CURRENT	RATED TORQUE	RATED SPEED	RATED POWER	TORQUE PEAK	A (Max)	RPM MAX	MAX POWER
SIZE	V dc-bus	Arms	Nm	rpm	kW	Nm	Arms	rpm	kW
A/24	24	125	7,5	3500	2,75	19	317	4100	6,96
B/24	24	200	12,1	3500	4,43	29,5	488	4100	10,81
C/24	24	280	17,8	3500	6,52	43,5	684	4100	15,94
D/24	24	370	23	3500	8,43	59	949	4100	21,62
E/24	24	370	30	2500	7,85	65	802	3000	17,02
A/48	48	62	7,5	3500	2,75	19	157	4100	6,96
B/48	48	100	12,1	3500	4,43	29,5	244	4100	10,81
C/48	48	140	17,8	3500	6,52	43,5	342	4100	15,94
D/48	48	190	23	3500	8,43	59	487	4100	21,62
E/48	48	230	28	3500	10,26	78	641	3500	28,59
A/96	96	31	7,5	3500	2,75	19	79	4100	6,96
B/96	96	50	12,1	3500	4,43	29,5	122	4100	10,81
C/96	96	70	17,8	3500	6,52	43,5	171	4100	15,94
D/96	96	95	23	3500	8,43	59	244	4100	21,62
E/96	96	115	28	3500	10,26	78	320	4000	28,59

Motor for RREDL200/400	VOLTAGE	RATED CURRENT	RATED TORQUE	RATED SPEED	RATED POWER	TORQUE PEAK	A (Max)	RPM MAX	MAX POWER
SIZE	V dc-bus	Arms	Nm	rpm	kW	Nm	Arms	rpm	kW
036/48	48	102	18	3000	5,7	45	200	6000	14
048/48	48	140	24	3000	7,5	60	280	6000	19
072/48	48	188	32	3000	10,0	80	376	6000	25
096/48	48	235	40	2700	11,3	100	470	4500	28
120/48	48	282	48	2500	12,6	120	564	3700	31
144/48	48	329	58	2200	13,4	145	658	3000	33
036/96	96	51	18	3000	5,7	45	100	6000	14
048/96	96	70	24	3000	7,5	60	140	6000	19
072/96	96	94	32	3000	10,0	80	188	6000	25
096/96	96	117	40	2700	11,3	100	235	4500	28
120/96	96	141	48	2000	12,6	120	282	3700	31
144/96	96	164	56	2000	13,4	145	329	3000	33

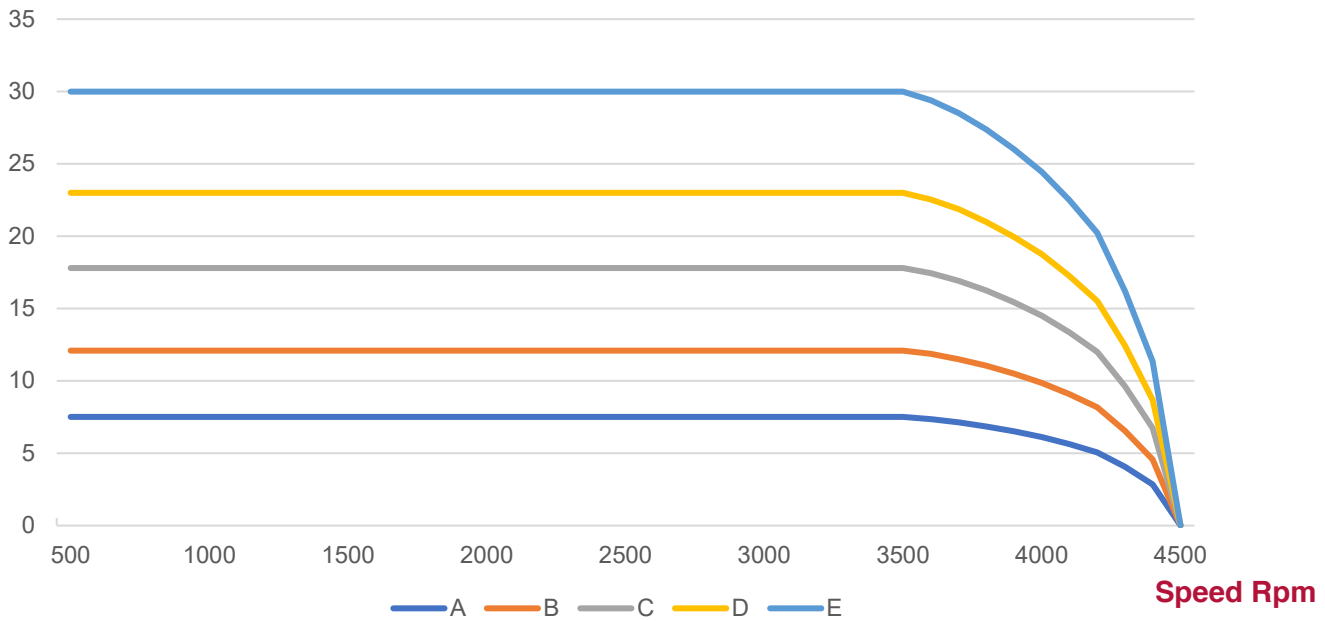
- Extremely low inertia momentum, ideal for quick high speed rump-up.
- High efficiency, 95%.
- All voltage available, customizable upon order.
- Power connection via direct cable exit or Amphenol connector.
- Sensor connection and Thermal via AMP Superseal plug.
- Speed & position sensors included.
- Temperature sensor.
- Motors are IP65 as minimum and up to 6K9K.
- Motor suitable to de-flux.
- Constant torque at variable speed.
- High power density, tooth winding technology.



TORQUE/SPEED CHARTS

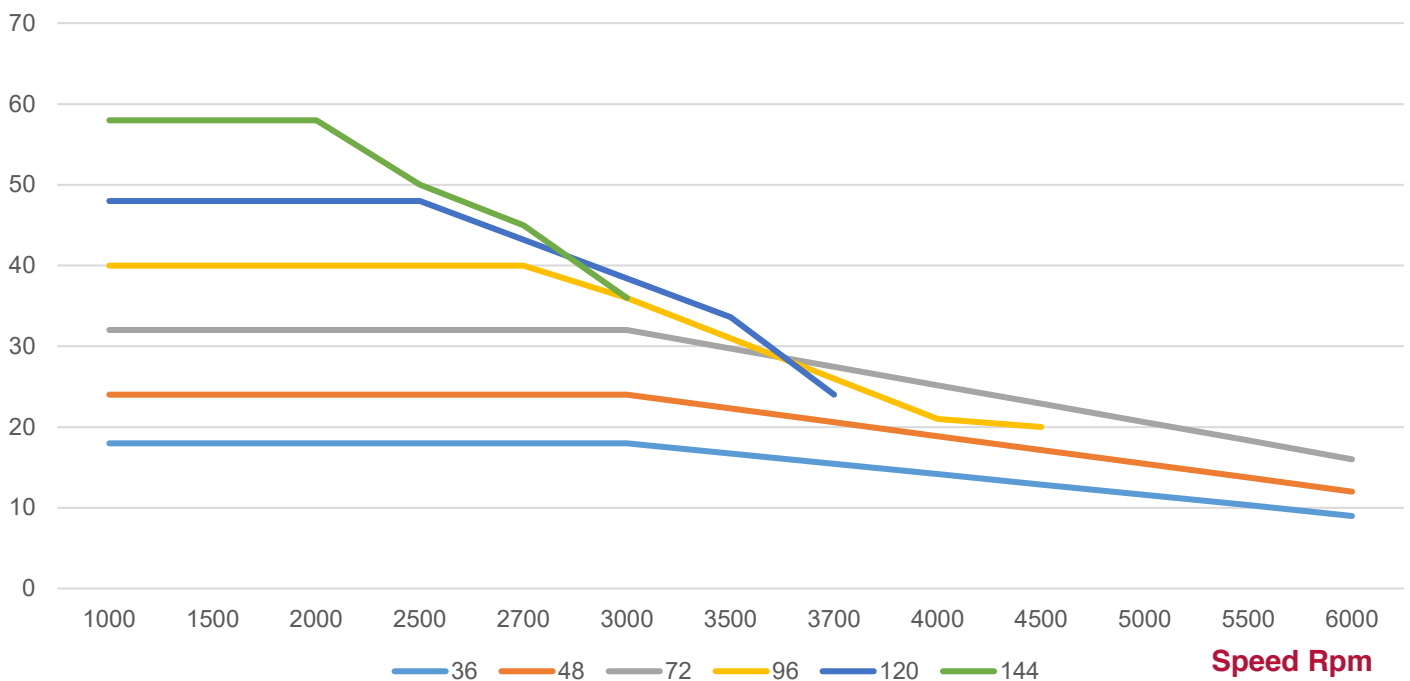
Motor for RREDL70

Torque Nm



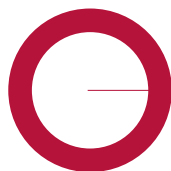
Motor for RREDL200/400

Torque Nm

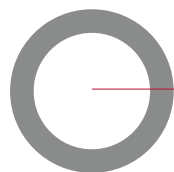
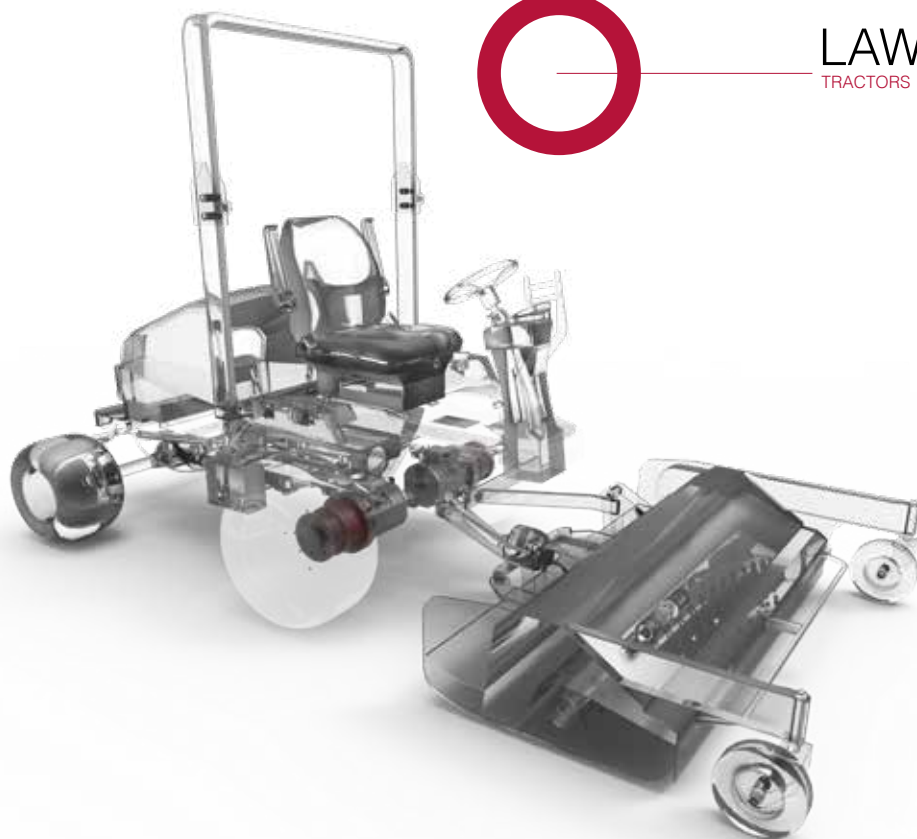


A

APPLICATIONS

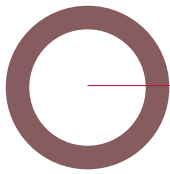


LAWN TRACTORS

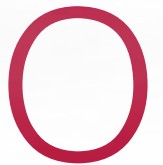


GOLF CADDY CARS





AERIAL
WORK PLATFORM



OTHER APPLICATIONS



BEACH
CLEANING MACHINES



FORKLIFTS



STREET
SWEEPER



LIGHT
CONSTRUCTION EQUIPMENTS



GROUND
SUPPORT EQUIPMENTS



REPLACEMENT
FOR HYDRAULICS DRIVES





Global Sales Network



RR USA Inc.
BRANCH OFFICE - MIDWEST
Waukesha, WI - UNITED STATES
www.rrusainc.com

RR CANADA Inc.
BRANCH OFFICE
Vaughan, On. L4K 4G3 - CANADA
www.rrcanadainc.com

SPAIN
BRANCH OFFICE
Viladecans - Barcelona - Spain

RR FRANCE
BRANCH OFFICE
Thouare Sur Loire - FRANCE
www.rfrance.fr

RR HOLLAND
BRANCH OFFICE
Oosterhout - NETHERLANDS
www.rrholland.nl

RR GERMANY
BRANCH OFFICE
Waiblingen - GERMANY

RR SLOVAKIA
BRANCH OFFICE
Zvolen - SLOVAKIA
www.rrslovakia.sk

RR CHINA
BRANCH OFFICE
Hangzhou City
Zhejiang Province - CHINA

RR USA Inc.
BRANCH OFFICE - WEST COAST
Monroe, Wa - 98272 - UNITED STATES
www.rrusainc.com

BRASIL
BRANCH OFFICE
Indaiatuba - SP - Brasil

INDIA
SALES OFFICE
Hosur - INDIA

MEXICO
BRANCH OFFICE MEXICO - CENTRAL AMERICA
Apodaca Nuevo León, MEXICO

RR USA Inc.
BRANCH OFFICE - HEADQUARTERS
Boothwyn, PA - UNITED STATES
www.rrusainc.com

SOUTH AFRICA
SALES OFFICE
Johannesburg - RSA

RR PACIFIC
BRANCH OFFICE
Victoria - AUSTRALIA
www.rrpacific.com

- Branch
- Master Distributor



www.reggianariduttori.com
info@reggianariduttori.com



Headquarter

Via Martiri di Marzabotto 7
42020 S.Polo D'Enza (RE)
Reggio Emilia, Italy
REGGIANARIDUTTORI.COM

Ph. +39 0522 259111
Fax +39 0522 874321
info@reggianariduttori.com
PEC: reggianariduttori@legalmail.it



A member of

